

R. F. AMPLIFIER
UAF42

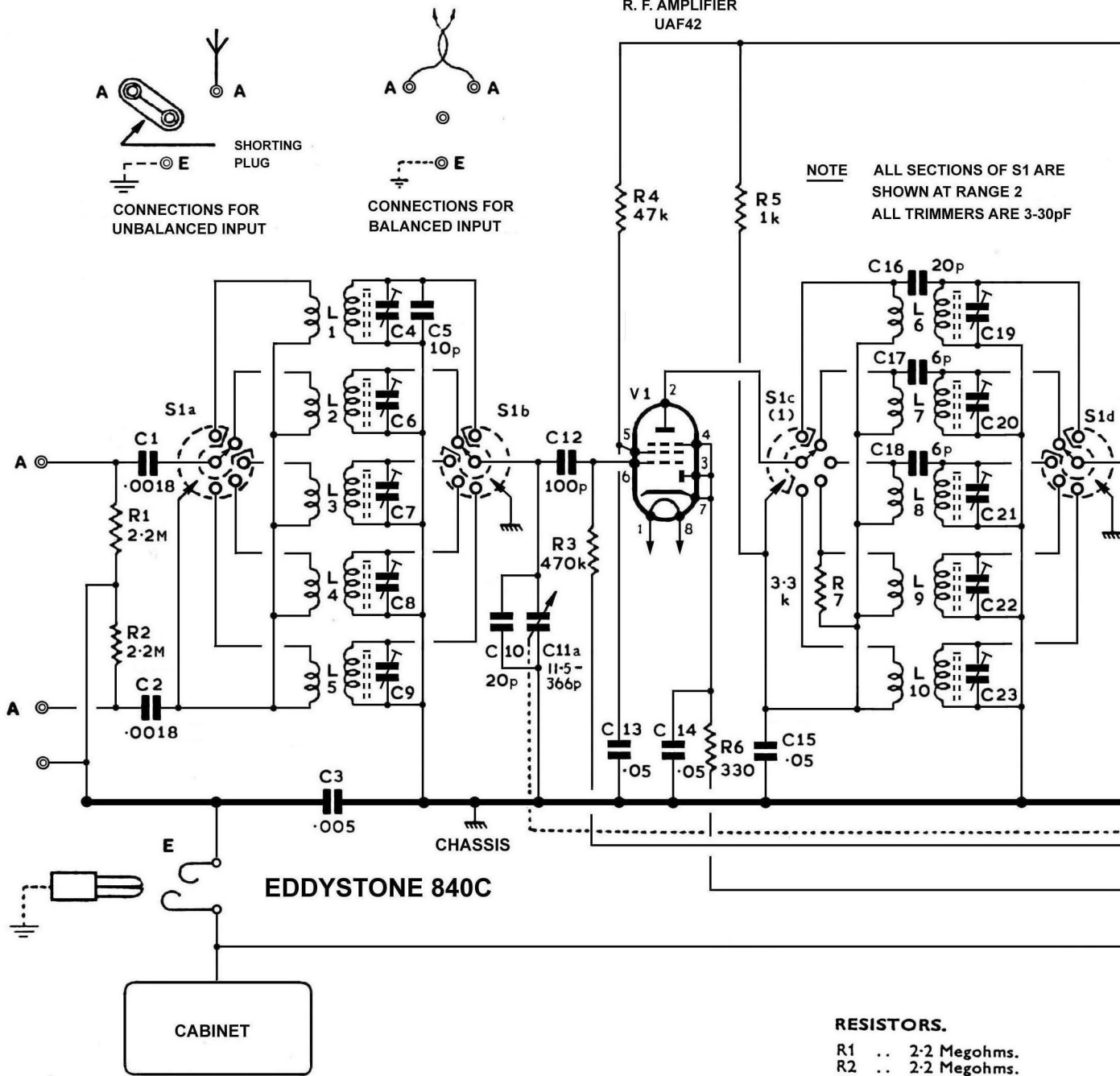
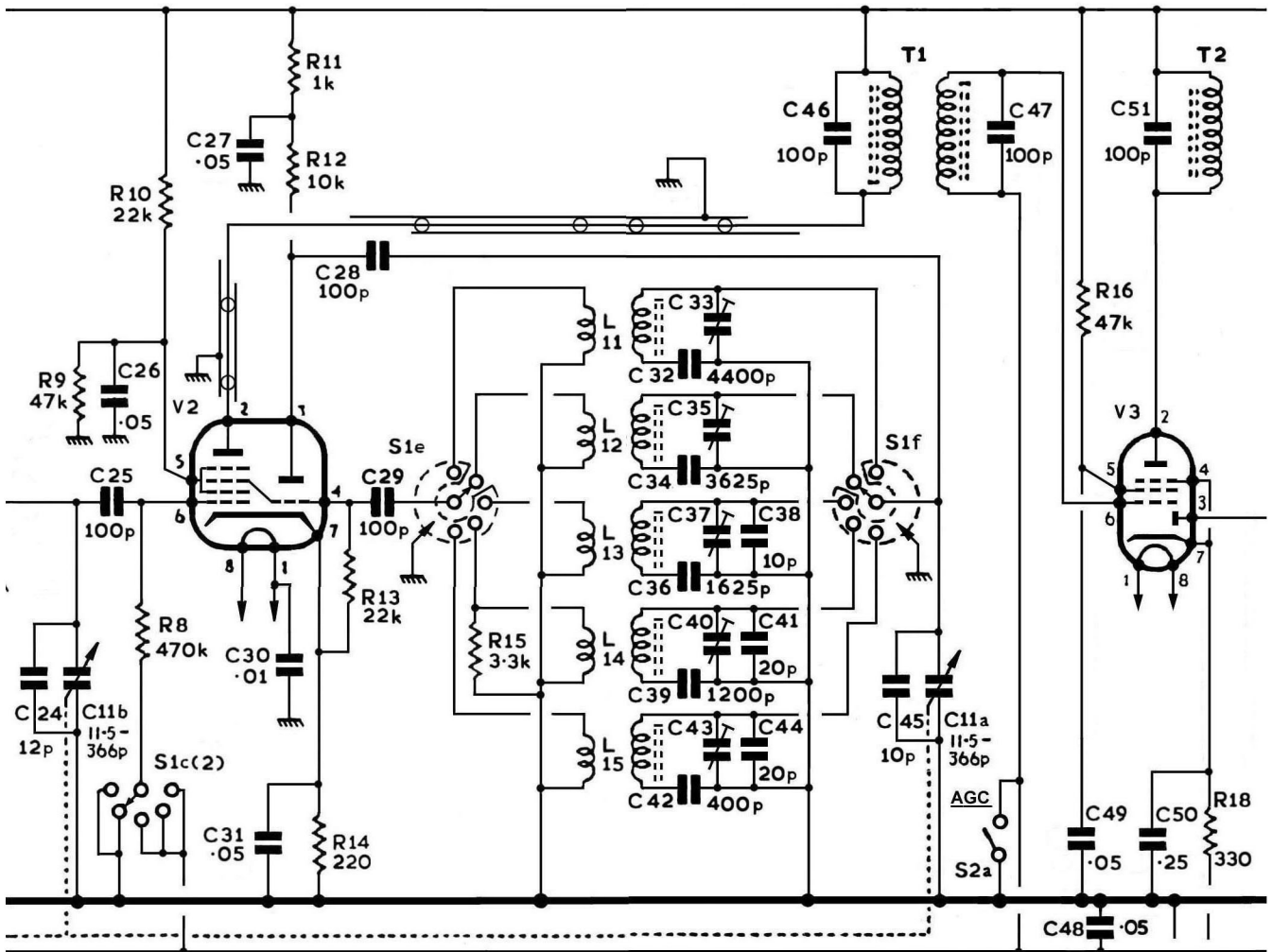


TABLE OF VOLTAGE VALUES

Stage	Anode	Screen	Cathode
V1	112V/110V	67V/45V	1.4V/1.3V
V2	Triode	90V/80V	—
	Hexode	115V/110V	62V/40V
V3	115V/114V	62V/45V	1.5V/1.3V
V4	50V/15V	—	—
V5	25V/10V	22V/10V	1.3V/0.7V
V6	62V/57V	62V/57V	—
V7	105V/105V	115V/115V	6.5V/6.0V
V8	135V/135V*	—	—

RESISTORS.

- R1 .. 2.2 Megohms.
- R2 .. 2.2 Megohms.
- R3 .. 0.47 Megohm.
- R4 .. 47,000 ohms.
- R5 .. 1,000 ohms.
- R6 .. 330 ohms. ±5%.
- R7 .. 3,300 ohms.
- R8 .. 0.47 Megohm.
- R9 .. 47,000 ohms.
- R10 .. 22,000 ohms.
- R11 .. 1,000 ohms.
- R12 .. 10,000 ohms.
- R13 .. 22,000 ohms.
- R14 .. 220 ohms.
- R15 .. 3,300 ohms.
- R16 .. 47,000 ohms.
- R17 .. 22,000 ohms.
- R18 .. 330 ohms. ±5%
- R19 .. 0.47 Megohm.
- R20 .. 0.47 Megohm.
- R21 .. 2.2 Megohms.
- R22 .. 2.2 Megohms.
- R23 .. 0.1 Megohm.
- R24 .. 2,700 ohms.
- R25 .. 0.47 Megohm.
- R26 .. 0.68 Megohm.
- R27 .. 22,000 ohms.
- R28 .. 0.22 Megohm.
- R29 .. 22,000 ohms.
- R30 .. 1,000 ohms.
- R31 .. 10,000 ohms.
- R32 .. 0.1 Megohm.
- R33 .. 47,000 ohms.



- R34 .. 0.1 Megohm 1 watt.
- R35 .. 2.2 Megohms.
- R36 .. 0.47 Megohm.
- R37 .. 150 ohms.
- R38 .. 550 ohms, tapped at 100 ohms, and 350 ohms, 0.2 amps.
- R39 .. 100 ohms, $\pm 5\%$ 4 watts.
- R40 .. CZ1 Thermistor.
- R41 .. 8 ohms, 3 watts.

NOTE. All resistors are 10% $\frac{1}{2}$ watt unless stated otherwise.

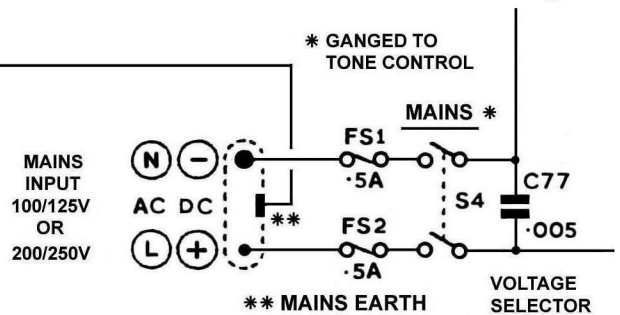
POTENTIOMETERS.

- RV1 .. 0.5 Megohm carbon.
- RV2 .. 10,000 ohms wirewound.
- RV3 .. 50,000 ohms carbon with double pole switch.

CAPACITORS.

- C1 .. 1800 pf. Disc Ceramic Isolator.
- C2 .. 1800 pf. Disc Ceramic Isolator.
- C3 .. 0.005 mfd. Disc Ceramic 900V. DC wkg.
- C4 .. 3-30 pf. Air Trimmer.
- C5 .. 10 pf. Silvered Mica $\pm 10\%$ 350V. DC wkg.
- C6 .. 3-30 pf. Air Trimmer.
- C7 .. 3-30 pf. Air Trimmer.
- C8 .. 3-30 pf. Air Trimmer.
- C9 .. 3-30 pf. Air Trimmer.
- C10 .. 20 pf. Silvered Mica $\pm 10\%$ 350V. DC wkg.
- C11 .. 11.5-366 pf. Three Gang Tuning Capacitor.
- C12 .. 100 pf. Tubular Ceramic $\pm 10\%$ 350V. DC wkg.
- C13 .. 0.05 mfd. Metallised Paper $\pm 20\%$ 250V. DC wkg.
- C14 .. 0.05 mfd. Metallised Paper $\pm 20\%$ 250V. DC wkg.

- C15 .. 0.05 mfd. Metallised Paper $\pm 20\%$ 250V. DC wkg.
- C16 .. 20 pf. Tubular Ceramic $\pm 10\%$ 350V. DC wkg.
- C17 .. 6 pf. Tubular Ceramic $\pm 10\%$ 350V. DC wkg.
- C18 .. 6 pf. Tubular Ceramic $\pm 10\%$ 350V. DC wkg.
- C19 .. 3-30 pf. Air Trimmer.
- C20 .. 3-30 pf. Air Trimmer.
- C21 .. 3-30 pf. Air Trimmer.
- C22 .. 3-30 pf. Air Trimmer.
- C23 .. 3-30 pf. Air Trimmer.
- C24 .. 12 pf. Tubular Ceramic $\pm 10\%$ 350V. DC wkg.
- C25 .. 100 pf. Tubular Ceramic $\pm 10\%$ 350V. DC wkg.
- C26 .. 0.05 mfd. Metallised Paper $\pm 20\%$ 250V. DC wkg.
- C27 .. 0.05 mfd. Metallised Paper $\pm 20\%$ 250V. DC wkg.
- C28 .. 100 pf. Tubular Ceramic $\pm 10\%$ 350V. DC wkg.
- C29 .. 100 pf. Tubular Ceramic $\pm 10\%$ 350V. DC wkg.
- C30 .. 0.01 mfd. Tubular Ceramic $\pm 10\%$ 350V. DC wkg.
- C31 .. 0.05 mfd. Metallised Paper $\pm 20\%$ 250V. DC wkg.
- C32 .. 4400 pf. Silvered Mica $\pm 1\%$ 350V. DC wkg.
- C33 .. 3-30 pf. Air Trimmer.
- C34 .. 3625 pf. Silvered Mica $\pm 1\%$ 350V. DC wkg.
- C35 .. 3-30 pf. Air Trimmer.



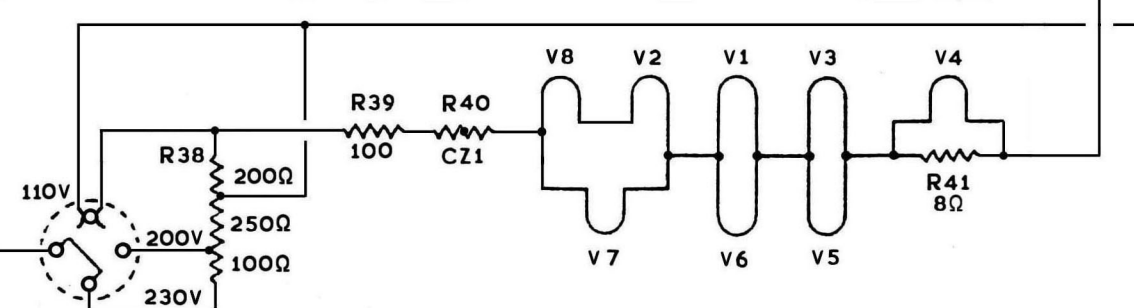
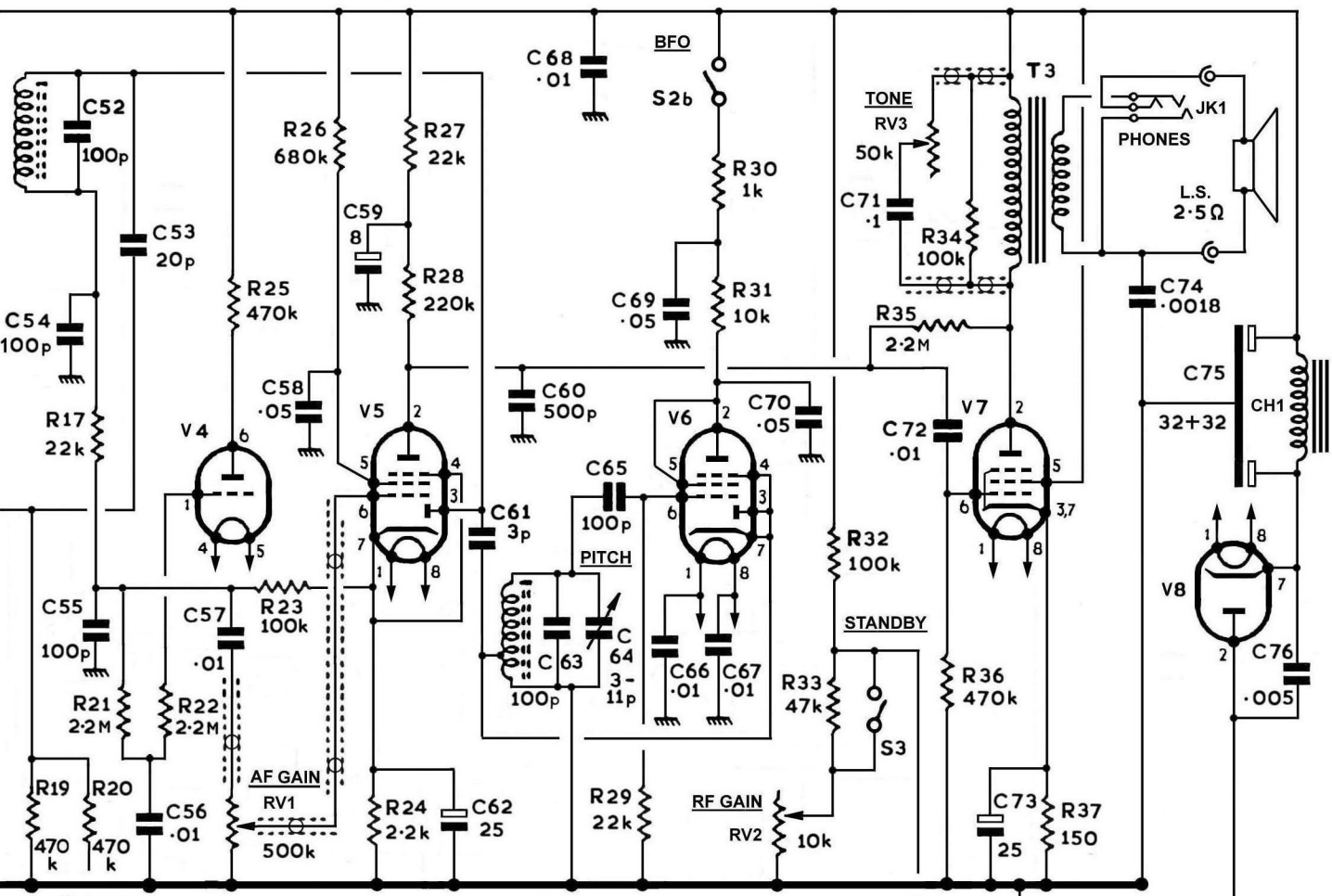
TUNING INDICATOR
DM71

DETECTOR AND AUDIO
UAF42

BEAT OSCILLATOR
UAF42

AUDIO OUTPUT
UL41

HT RECTIFIER
UY41



- | | | | |
|------------------|-------------------------------------|-------------------|--------------------------------------|
| C36 .. 1625 pf. | Silvered Mica ±1% 350V. DC wkg. | C57 .. 0.01 mfd. | Tubular Ceramic ±20% 350V. DC wkg. |
| C37 .. 3-30 pf. | Air Trimmer. | C58 .. 0.05 mfd. | Metallised Paper ±20% 250V. DC wkg. |
| C38 .. 10 pf. | Silvered Mica ±10% 350V. DC wkg. | C59 .. 8 mfd. | Tubular Electrolytic 275V. DC wkg. |
| C39 .. 1200 pf. | Silvered Mica ±1% 350V. DC wkg. | C60 .. 500 pf. | Moulded Mica ±10% 350V. DC wkg. |
| C40 .. 3-30 pf. | Air Trimmer. | C61 .. 3 pf. | Tubular Ceramic ±½ pf. 350V. DC wkg. |
| C41 .. 20 pf. | Silvered Mica ±10% 350V. DC wkg. | C62 .. 25 mfd. | Tubular Electrolytic 25V. DC wkg. |
| C42 .. 400 pf. | Silvered Mica ±1% 350V. DC wkg. | C63 .. 100 pf. | Silvered Mica ±10% 350V. DC wkg. |
| C43 .. 3-30 pf. | Air Trimmer. | C64 .. 3-11 pf. | Air Spaced Variable. |
| C44 .. 20 pf. | Silvered Mica ±10% 350V. DC wkg. | C65 .. 100 pf. | Silvered Mica ±10% 350V. DC wkg. |
| C45 .. 10 pf. | Tubular Ceramic ±10% 350V. DC wkg. | C66 .. 0.01 mfd. | Tubular Ceramic ±20% 350V. DC wkg. |
| C46 .. 100 pf. | Silvered Mica ±2% 350V. DC wkg. | C67 .. 0.01 mfd. | Tubular Ceramic ±20% 350V. DC wkg. |
| C47 .. 100 pf. | Silvered Mica ±2% 350V. DC wkg. | C68 .. 0.01 mfd. | Tubular Ceramic ±20% 350V. DC wkg. |
| C48 .. 0.05 mfd. | Metallised Paper ±20% 250V. DC wkg. | C69 .. 0.05 mfd. | Metallised Paper ±20% 250V. DC wkg. |
| C49 .. 0.05 mfd. | Metallised Paper ±20% 250V. DC wkg. | C70 .. 0.05 mfd. | Metallised Paper ±20% 250V. DC wkg. |
| C50 .. 0.25 mfd. | Metallised Paper ±20% 150V. DC wkg. | C71 .. 0.1 mfd. | Metallised Paper ±20% 600V. DC wkg. |
| C51 .. 100 pf. | Silvered Mica ±2% 350V. DC wkg. | C72 .. 0.01 mfd. | Tubular Ceramic ±20% 350V. DC wkg. |
| C52 .. 100 pf. | Silvered Mica ±2% 350V. DC wkg. | C73 .. 25 mfd. | Tubular Electrolytic 25V. DC wkg. |
| C53 .. 20 pf. | Tubular Ceramic ±10% 350V. DC wkg. | C74 .. 1800 pf. | Disc Ceramic Isolator. |
| C54 .. 100 pf. | Tubular Ceramic ±10% 350V. DC wkg. | C75 .. 32+32 mfd. | Tubular Electrolytic 350V. DC wkg. |
| C55 .. 100 pf. | Tubular Ceramic ±10% 350V. DC wkg. | C76 .. 0.005 mfd. | Disc Ceramic 900V. DC wkg. |
| C56 .. 0.01 mfd. | Tubular Paper ±20% 150V. DC wkg. | C77 .. 0.005 mfd. | Disc Ceramic 900V. DC wkg. |